

## DS-2DE4225W-DE3

2 MP 25× Indoor Network PTZ Speed Dome

### DarkFighter™



Ceiling Mount

In-Ceiling Mount

- **1/2.8" Progressive Scan CMOS**
- **Up to 1920 x 1080 Resolution**
- **Minimum Illumination:**  
Color: 0.005 Lux @ (f/1.6, AGC on)  
B/W: 0.001 Lux @ (f/1.6, AGC on)
- **DarkFighter™ Technology**
- **H.265+/H.265 Video Compression**
- **25x Optical Zoom, 16x Digital Zoom**
- **120 dB WDR, EIS, Defog**
- **Smart Detection: Line Crossing, Intrusion, Region Enter/Exit**
- **12 VDC/PoE+ (802.3 at, class4), 18 W**

Hikvision DS-2DE4225W-DE3 Network PTZ Speed Dome Cameras produce images with a resolution of up to 1920 x 1080 pixels.

The embedded 1/2.8" progressive scan CMOS chip supports digital WDR, and the 25x optical zoom allows for greater detail to be collected over more expansive areas. DarkFighter™ technology allows the camera to provide full-color imagery in extremely low light conditions.

The Network PTZ Speed Dome Camera also features a wide range of smart functions, including intrusion detection, line crossing detection, and audio exception, which allows for key events and objects to be recorded for further forensic needs.

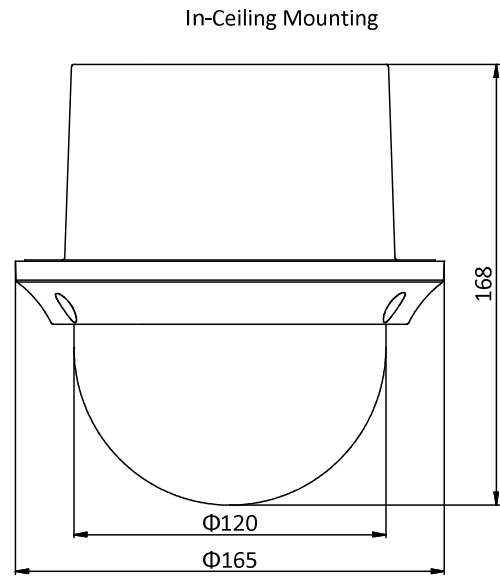
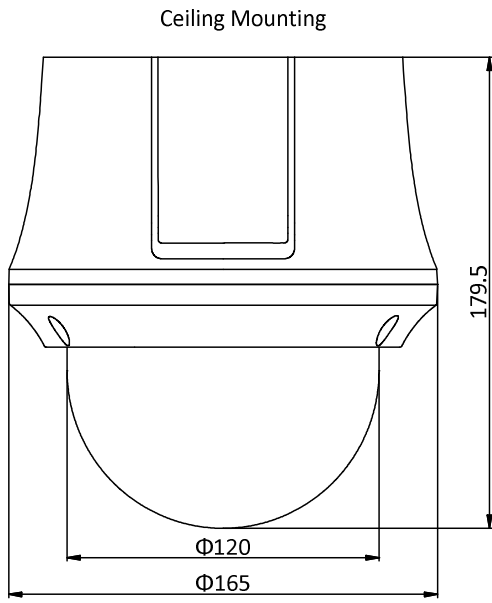
**Available models:**  
DS-2DE4225W-DE3



# Specifications

	<b>DS-2DE4225W-DE3</b>
<b>Camera Module</b>	
Image Sensor	1/2.8" progressive scan CMOS
Minimum Illumination	Color: 0.005 lux @ (f/1.6, AGC on); B/W: 0.001 lux @ (f/1.6, AGC on); 0 lux with IR
Shutter Speed	1/1 to 1/30,000 s
White Balance	Auto/manual/ATW [auto-tracking white balance]/indoor/outdoor/fluorescent lamp/sodium lamp
AGC	Auto/manual
Day/Night	IR cut filter
Digital Zoom	16×
Privacy Mask	24 programmable privacy masks
Focus Mode	Auto/semi-automatic/manual
WDR	120 dB
Rapid Focus	Supported
<b>Lens</b>	
Focal Length	4.8 mm to 120 mm, 25× optical zoom
Zoom Speed	Approximately 3.6 s (optical lens, wide to tele)
Angle of View	Horizontal field of view: 57.6° to 2.5° (wide to tele); vertical field of view: 34.4° to 1.4° (wide to tele); diagonal field of view: 64.5° to 2.9° (wide to tele)
Minimum Working Distance	10 mm to 1,500 mm (wide to tele)
Aperture Range	f/1.6 to f/3.5
<b>PTZ</b>	
Movement Range [Pan]	360° endless
Pan Speed	Configurable, from 0.1°/s to 160°/s, preset speed: 160°/s
Movement Range [Tilt]	From 0° to 90° (auto-flip)
Tilt Speed	Configurable, from 0.1°/s to 120°/s, preset speed: 120°/s
Proportional Zoom	Supported
Presets	300
Patrol Scan	8 patrols, up to 32 presets for each patrol
Pattern Scan	4 pattern scans, record time over 10 minutes for each scan
Power-off Memory	Supported
Park Action	Preset/pattern scan/patrol scan/auto scan/tilt scan/random scan/frame scan/panorama scan
3D Positioning	Supported
PTZ Status Display	Supported
Preset Freezing	Supported
Scheduled Task	Preset/pattern scan/patrol scan/auto scan/tilt scan/random scan/frame scan/panorama scan/dome reboot/dome adjust/aux output
<b>Compression Standard</b>	
Video Compression	Main stream: H.265+/H.265/H.264+/H.264; sub-stream: H.265/H.264/MJPEG; third stream: H.265/H.264/MJPEG
H.264 Type	Baseline profile/main profile/high profile
H.264+	Supported
H.265 Type	Baseline profile/main profile/high profile
H.265+	Supported
Video Bitrate	32 kbps to 16,384 kbps
Audio Compression	G.711alaw/G.711ulaw/G.722.1/G.726/MP2L2/PCM
Audio Bitrate	G.711alaw/G.711ulaw: 64 Kbps; G.722.1/G.726: 16 Kbps; MP2L2/PCM: 32 Kbps/64 Kbps/128 Kbps
<b>Smart Features</b>	
Basic Events	Motion detection, alarm input, alarm output, video tampering detection, exception detection
Smart Events	Intrusion detection, line crossing detection, region entrance detection, region exiting detection, object removal detection, unattended baggage detection
Smart Recording	ANR (Automatic Network Replenishment), dual-VCA
ROI	Main stream, sub-stream, and third stream respectively support four fixed areas
<b>Image</b>	
Maximum Resolution	1920 x 1080
Main Stream	30 fps (1920 x 1080, 1280 x 960, 1280 x 720), 60 fps (1280 x 960, 1280 x 720)
Sub-Stream	30 fps (704 x 480, 640 x 480, 352 x 240)
Third Stream	30 fps (1920 x 1080, 1280 x 960, 1280 x 720, 704 x 480, 640 x 480, 352 x 240)
Image Enhancement	HLC/BLC/3D DNR/Defog/EIS/Regional Exposure/Regional Focus
<b>Network</b>	
Network Storage	Built-in memory card slot, supports microSD/SDHC/SDXC, up to 256 GB; NAS (NFS, SMB/CIFS), ANR
Alarm Linkage	Alarm actions such as notify surveillance center, upload to FTP, send e-mail, trigger recording, recording linkage, and alarm input, etc.
Protocols	IPv4/IPv6, HTTP, HTTPS, 802.1x, QoS, FTP, SMTP, UPnP, SNMP, DNS, DDNS, NTP, RTSP, RTCP, RTP, TCP/IP, DHCP, PPPoE, Bonjour
API	Open-ended, supports ONVIF, ISAPI, and CGI, support for HIKVISION SDK and third-party management platforms
Simultaneous Live Views	Up to 20 channels
User/Host	Up to 32 users. Three levels: administrator, operator, and user
Security Measures	User authentication (ID and PW), host authentication (MAC address); HTTPS encryption; IEEE 802.1x port-based network access control; IP address filtering
Client	iVMS-4200, iVMS-4500, Hik-Connect
Web Browser	IE 8 to 11, Chrome 31.0 to 44, Firefox 30.0 to 51
<b>Interface</b>	
Alarm Interface	1-ch alarm input and 1-ch alarm output
Audio Interface	1-ch audio input and 1-ch audio output
Network Interface	1 RJ-45 10 M/100 M Ethernet, PoE+ (802.3 at, class 4)
<b>General</b>	
Power	12 VDC and PoE+ (802.3 at, class 4); maximum: 18 W
Working Temperature	-14° to 122° F (-10° to 50° C); humidity: ≤90% (non-condensing)
Protection Level	TVS 4,000 V lightning protection, surge protection and voltage transient protection
Material	ADC 12, PC + ABS, PC/PMMA
Dimensions	Ceiling mounted model: 06.50" x 7.07" (0165 mm x 179.5 mm); in-ceiling mounted model: 06.50" x 6.61" (0165 mm x 168 mm)
Weight	Approximately 4.41 lb (2 kg)

# Dimensions



Unit: mm