

## DS-2DE2204IW-DE3

### 2 MP Indoor 4x Network IR PTZ Camera



- **1/2.8" Progressive Scan CMOS**
- **Up to 1920 x 1080 Resolution**
- **Minimum Illumination:**  
Color: 0.05 Lux @ (F2.0, AGC ON)  
B/W: 0.005 Lux @ (F2.0, AGC ON)  
0 Lux with IR
- **Up to 65 ft (20 m) IR Distance**
- **H.265+/H.265 Video Compression**
- **4x Optical Zoom, 16x Digital Zoom**
- **Electronic Image Stabilization**
- **Smart Detection: Line Cross, Intrusion, Region Enter/Exit**
- **Digital WDR, 3D DNR, HLC, BLC**
- **12 VDC (max. 9 W); PoE+ (802.3at)**

Hikvision's DS-2DE2204IW-DE3 Value Series Network IR PTZ Cameras are designed for indoor security applications.

The embedded 1/2.8" progressive scan CMOS chip makes DWDR and 1080p real-time resolution possible. IR capability up to 65 (20 ft) supports indoor viewing in low-light conditions.

The DS-2DE2204IW-DE3 IR PTZ Camera also features a wide range of functions, including intrusion detection, line crossing detection, and audio exception, benefitting users with great improvements in security efficiency and, more importantly, with key events or objects recorded for further forensic needs.

**Available models:**  
DS-2DE2204IW-DE3



# Specifications

## DS-2DE2204IW-DE3

### Camera Module

Image Sensor	1/2.8" progressive scan CMOS
Minimum Illumination	Color: 0.05 lux @ (f/2.0, AGC on), B/W: 0.005 lux @ (f/2.0, AGC on), 0 Lux with IR
White Balance	Auto / Manual / ATW [auto-tracking white balance] / indoor / outdoor / fluorescent lamp / sodium lamp
AGC	Auto
Shutter Time	1/1 to 1/30,000s
Day & Night	4x
Digital Zoom	Auto / manual / ATW [auto-tracking white balance] / indoor / outdoor / daylight lamp / sodium lamp
Privacy Mask	Auto / manual
Focus Mode	Auto / manual
Digital WDR	92 dB

### Lens

Focal length	2.8 to 12mm, 4x optical zoom
Field of View	Horizontal field of view: 100° to 25° (wide-tele); vertical field of view: 56.3° to 14.1° (wide-tele); diagonal field of view: 114.7° to 28.7° (wide-tele)
Working Distance	10 to 1500 mm (wide-tele)
Zoom Speed	Approximately 2s (optical lens, wide-tele)
Aperture Range	f/1.8 to f/2.5

### IR

IR Distance	Up to 65 ft ( 20 m)
Smart IR	Supported

### Smart Features

Basic Event Detection	Motion detection, video tampering detection
Smart Event Detection	Intrusion detection, line crossing detection, audio exception detection
ROI Encoding	Main stream, sub-stream, and third stream respectively supported for two fixed areas

### Image

Maximum Resolution	1920 x 1080
Main Stream	50 Hz: 25 fps (1920 x 1080, 1280 x 960, 1280 x 720), 50 fps (1280 x 960, 1280 x 720); 60 Hz: 30 fps (1920 x 1080, 1280 x 960, 1280 x 720), 60 fps (1280 x 960, 1280 x 720)
Sub-Stream	50 Hz: 25 fps (704 x 576, 640 x 480, 352 x 288); 60 Hz: 30 fps (704 x 480, 640 x 480, 352 x 240)
Third Stream	50 Hz: 25 fps (1920 x 1080, 1280 x 960, 1280 x 720, 704 x 576, 640 x 480, 352 x 288) 60 Hz: 30 fps (1920 x 1080, 1280 x 960, 1280 x 720, 704 x 480, 640 x 480, 352 x 240)
Image Enhancement	HLC / BLC / 3D DNR / Defog / EIS / Regional Exposure / Regional Focus
SVC	Supported

### Network

Network Storage	Built-in memory card slot, microSD / SDHC / SDXC supported, up to 256 GB; NAS (NFS, SMB/ CIFS), ANR
Alarm Linkage	Alarm actions, such as memory card video recording, trigger recording, notify surveillance center, upload to FTP / memory card / NAS, send email, etc.
Protocols	IPv4 / IPv6, HTTP, HTTPS, Qos, FTP, SMTP, UPnP, SNMP, DNS, DDNS, NTP, RTSP, RTCP, RTP, TCP/IP, UDP, IGMP, ICMP, DHCP, PPPoE, Bonjour
API	Open-ended, support for ONVIF, ISAPI, and CGI, support for HIKVISION SDK and third-party management platforms
Simultaneous Live View	Up to 20 channels
User/Host	Up to 32 users; 3 levels: administrator, operator and user
Security Measures	User authentication (ID and PW), host authentication (MAC address); HTTPS encryption; IP address filtering
Client	iVMS-4200, iVMS-4500, iVMS-5200, Hik-Connect
Web Browser	IE 8+, Firefox 30+, Safari 8.0+ web browser

### Compression Standard

Video Compression	Main Stream: H.265+ / H.265 / H.264+ / H.264; sub-stream: H.265 / H.264 / MJPEG; third stream: H.265 / H.264 / MJPEG
H.264 Type	Baseline profile / main profile / high profile
H.264+	Supported
H.265 Type	Main Profile
H.265+	Support
Video Bitrate	32 Kbps to 16384 Kbps

### PTZ

Movement Range (Pan)	350°
Pan Speed	Configurable, from 0.1°/s to 60°/s
Movement Range (Tilt)	Preset speed: 60°/s
Tilt Speed	From 0° to 90°
Proportional Zoom	Configurable, from 0.1°/s to 50°/s
Presets	Preset speed: 50°/s
Patrol Scan	Supported
Pattern Scan	300
Power-off Memory	8 patrols, up to 32 presets for each patrol
Park Action	4 pattern scans, record time over 10 minutes for each scan
PTZ Position Display	Supported
Preset Freezing	Preset / pattern scan / patrol scan / auto scan / tilt scan / random scan / frame scan / panorama scan
Scheduled Task	Supported

### Interface

Alarm Input	1-ch alarm input
Alarm Output	1-ch alarm output
Audio Input	1-ch audio input
Audio Output	1-ch audio output
Network Interface	1 RJ45 10 M/100 M Ethernet Interface; PoE+ (802.3af, class4)

### General

Power	12 VDC and PoE (802.3af, class 3), maximum 9 W (IR light 3 W maximum)
Working Temperature	14° F to 122° F (-10° C to 50° C)
Working Humidity	≤ 90%
Protection Level	TVS 4,000V lightning protection, surge protection and voltage transient protection
Dimensions	Ø 4.92" × 5.38" (Ø 125 mm × 136.7 mm)
Weight	1.43 lbs (0.65 kg)

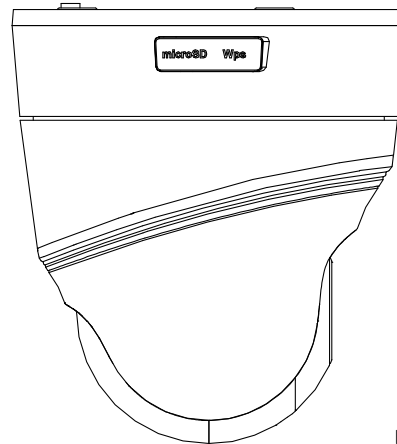
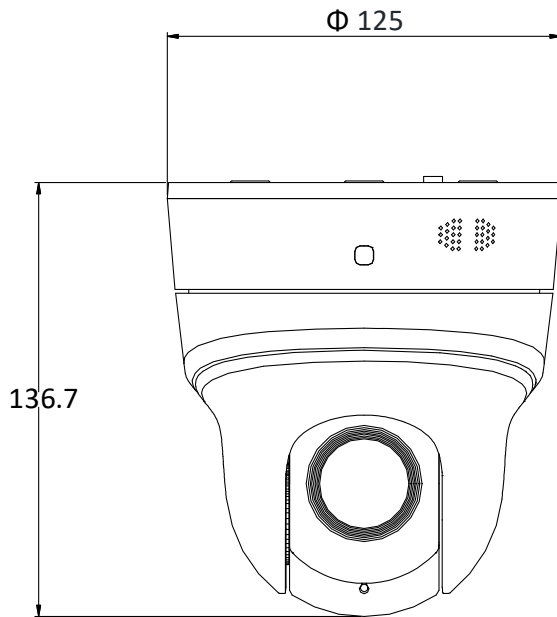
## Accessories

---



## Dimensions

---



Unit: mm